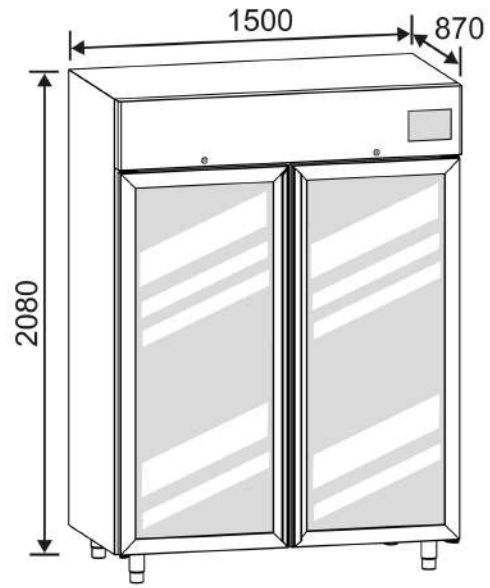




MPR 1365 W



Color:White
Panel:LITE

- LED backlit control panel
- Temperature display resolution 0,1°C
- Audible and visual alarms
- Dry contact for alarms signal remoting

TECHNICAL FEATURES

Temperature	+2°C / +15°C
Refrigeration Type	Forced air
Defrost Type	Automatic, with heating resistance
Condensate Evaporation	Automatic
Refrigerant Gas	R290
Climatic Class	+16°C / +38°C (ST)
Gross Capacity (liters)	1500
Net Capacity (liters)	1365
External Dimensions (W x D x H mm)	1500 x 870 x 2080
Packaging Dimensions (W x D x H mm)	1560 x 940 x 2240



MPR 1365 W

ELECTRICAL DATA

Power Supply (V/ph/Hz) 220-230/1/50

Power Plug Type F

STRUCTURAL FEATURES

Structure Upright

External Material Anti-bacterial coated steel white colour

Internal Material Stainless steel 18/10 AISI 304

Insulation Thickness (mm) 75

Triple-Layer Glass Door Yes

Automatic Door Closure Yes

Internal Lighting Type LED stripe with UVA for air sterilization

Shelves Number 6

Shelf Material Wire steel with white colour plastic coating

Shelves Dimensions (W x D mm) 530 x 650

Shelf Adjustment Step 13 / 13

Shelf Adjustment Step Range (mm) 89

Maximum Shelf Quantity 13 / 13

Drawers with extractable slides Optional

Drawer Adjustment Step 13 / 13

Drawer Adjustment Step Range (mm) 89

Maximum Drawer Quantity 13 / 13

CONTROL PANEL

Display Type LED

Access Password No

Probe Type Nr. 2 NTC



MPR 1365 W

CONTROL PANEL

Alarm Signaling	Acoustic and visual
Alarm Indications	Codes
Adjustable High/Low Temperature Alarm	Yes
Adjustable Door Open Alarm	Yes
Power Loss Alarm	Yes
Probe Fault Alarm	Yes
Acoustic Alarm Silencing Options	Yes
Calibration	Yes
Alarm Memory	10
Dry Contact	Yes (NC)

ACCESSORIES

Open wire shelf

Stainless steel open wire shelf

Chromium plated open wire basket

Stainless steel drawer

Plastic drawer divider

Drawer Perspex front shield

Castors Ø 95 mm, 2 with brakes

Door key locking

Electronic door lock (available for ADVANCED control panel only)

Temperature chart recorder

Ballasted sensor for simulation of the product temperature alarm (available only for ADVANCED)

Internal electrical socket

Porthole with cover Ø 18 mm

Porthole with cover Ø 45 mm

Internal spark-proofing



MPR 1365 W

ACCESSORIES

Back-up cooling unit (available for ADVANCED control panel only)

Safety anti-freezing thermostat

Temperature uniformity and stability kit ($<\pm 2^{\circ}\text{C}$)

Refrigerant R452a

GSM/GPRS telephone dialer

Voltage 230V/1ph/60Hz

Voltage 115V/1ph/60Hz

Plug type A

Plug type B

Plug type G

Plug type I

Wooden crate packing

IQ Documentation

OQ Documentation

PQ Documentation